

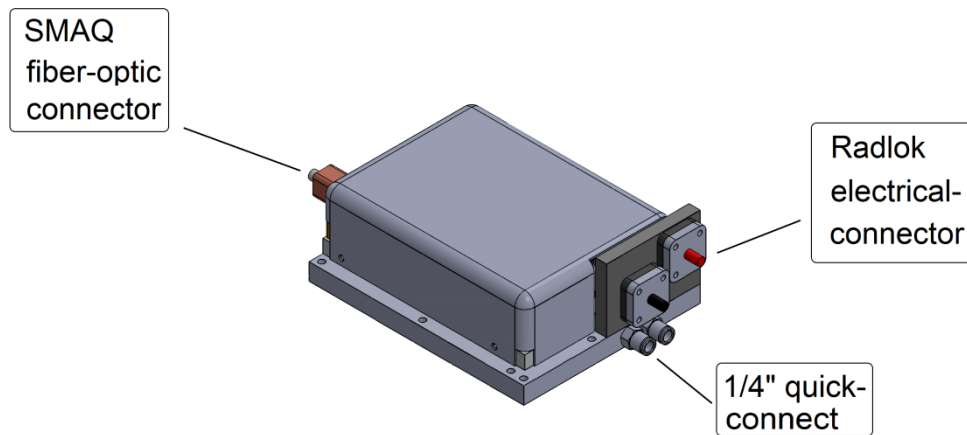


PRELIMINARY

Somerville Laser Technology

WL-XXX

**Fiber-coupled laser-diode module
from 200/240 μ m or 225/270 μ m, 0.22NA mode-stripped,
SMAQ-connectorized fiber**



Features

- High power-conversion efficiency ($\geq 50\%$)
- User friendly connectors (installs in minutes)
 - Optoskand SMAQ fiber-optic connector with integrated mode-stripper
 - Radlok quick-connect electrical-connectors
 - Quick-connect water-connectors
- Operates with distilled-water coolant
- Rugged: single optical-plenum
- $\Delta\lambda \leq 4\text{nm}$
- Fast turn-on ($\leq 5\text{ms}$) to operational wavelength

Applications

- Fiber laser pumping

Somerville Laser Technology, LLC
15 Ward St.
Somerville, MA 02143

www.slt-lasers.com; Email: sales@slt-lasers.com; Tel: 508-868-7333

SLT-042015_V3.0